



SOLUTION BRIEF

SCADAfence and Keysight: Comprehensive OT & IoT Security

Overview

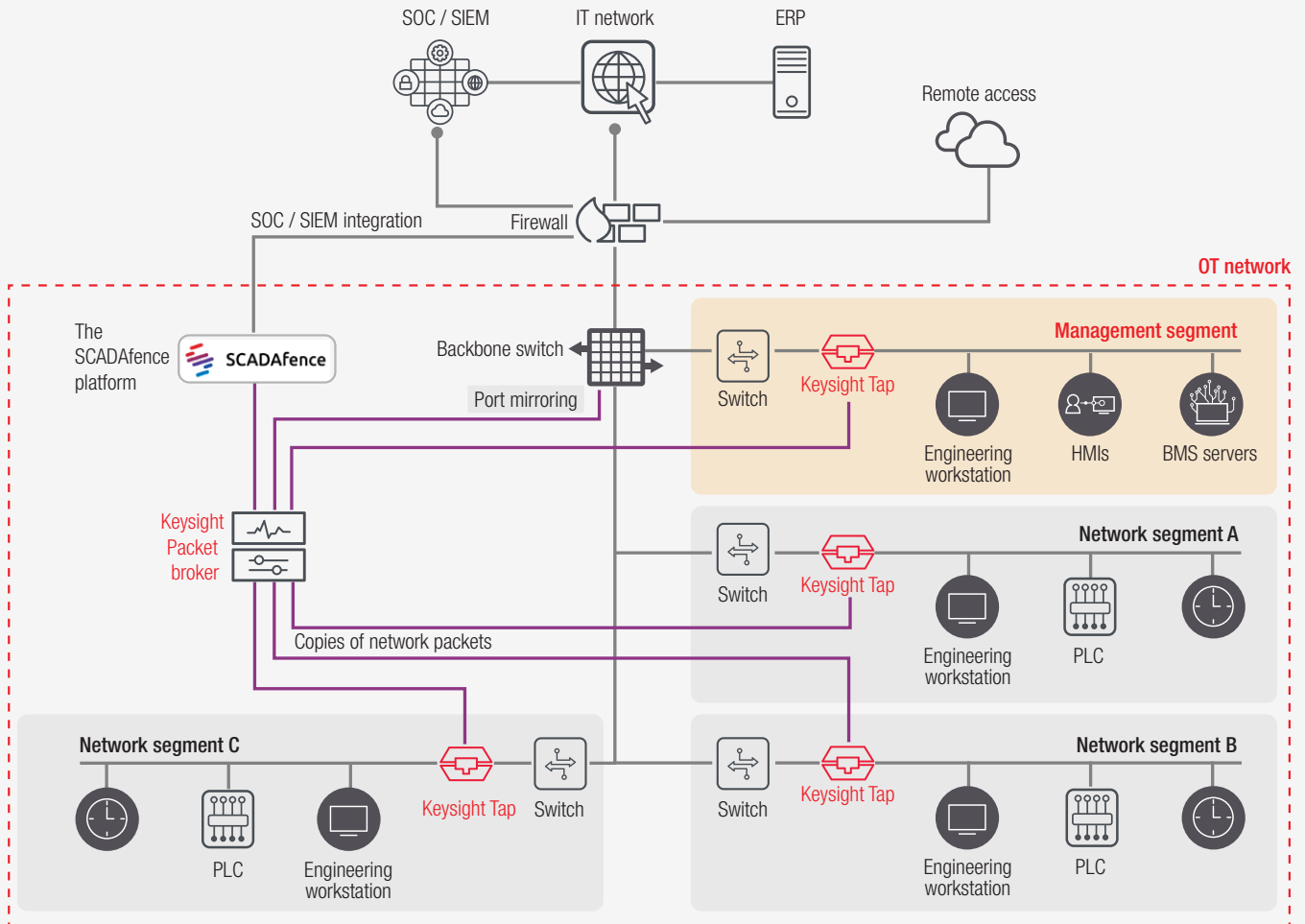
The SCADAfence Platform is an industrial cybersecurity solution that provides visibility and monitoring for ICS/SCADA and other IoT networks. The platform automates asset discovery and inventory management, as well as threat detection, risk management and governance.

Keysight's visibility solutions, including Taps and Network Packet Brokers (NPB), deliver OT and IoT network data to SCADAfence for analysis. Keysight then delivers the aggregated and complete network data from across industrial infrastructure, ensuring total visibility.

Together the joint solution offers comprehensive and reliable OT & IoT Security.



Sample Keysight and SCADAfence Joint Deployment



How it works

Keysight visibility solution includes Taps, Mirror Termination, and Packet Brokers which provide aggregation and grooming of exactly the right data to SCADAfence for OT and IoT security analysis.

SCADAfence: All of your OT & IoT Security in One Place

SCADAfence, the global technology leader in OT & IoT security, helps organizations that have limited or no visibility into their OT & IoT environment, to automatically **detect all of their assets**, to digitalize their inventory, to **comply with industrial standards**, and most importantly - to make sure that their OT & IoT environments are kept safe from sophisticated cyber-attackers.

Key capabilities include:

- Full security visibility of OT & IoT networks including fully automated asset discovery and inventory.
- Passively detects real-time indicators of compromise, threats, and attacks to reduce risk.
- Integration with existing security controls and SecOps procedures for immediate response.
- Continuously monitors for adherence to industry governance standards and organizational policies.
- Central Orchestration of configuration changes and actions on IoT devices of all types.

Keysight: Deliver Complete Data Visibility into your OT Networks

Keysight network visibility solutions deliver complete access to both OT and IT networks. Complete, real-time visibility starts with “tapping” networks to capture and copy traffic used in performance and security monitoring, incident response, forensics, and analysis. To ensure complete visibility, tapping can occur in places where OT switches cannot adequately mirror packets.

Data from the Taps (and if needed also from port mirrors) flows to Keysight’s network packet brokers for aggregated delivery to SCADAfence. Preprocessing of traffic includes removing duplicate packets and stripping unwanted or privileged data to improve overhead and meet compliance mandates, and optionally filtering out traffic that may not be needed for analysis (such as closed-circuit TV over IP).

Keysight Taps and Packet Brokers are proven and installed in rugged Industrial networks worldwide.

About SCADAfence

SCADAfence is the global technology leader in OT & IoT cybersecurity. SCADAfence offers a full suite of industrial cybersecurity products that provides full coverage of large-scale networks, offering best-in-class network monitoring, asset discovery, governance, remote access, and IoT device security. A Gartner “Cool Vendor” in 2020, SCADAfence delivers proactive security and visibility to some of the world’s most complex OT networks, including the largest manufacturing facility in Europe. SCADAfence enables organizations in critical infrastructure, manufacturing, and building management industries to operate securely, reliably, and efficiently. To learn more, visit our [website](#), check out our [blog](#), or follow us on [LinkedIn](#).



Learn more at: www.keysight.com

For more information on Keysight Technologies’ products, applications or services, please contact your local Keysight office. The complete list is available at: www.keysight.com/find/contactus

